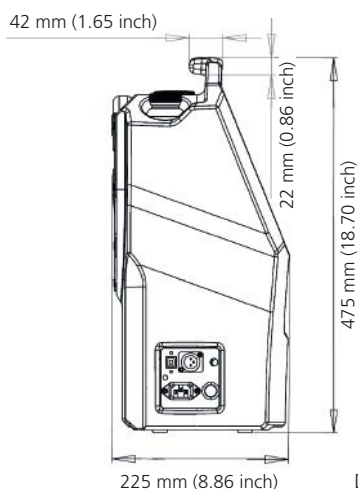
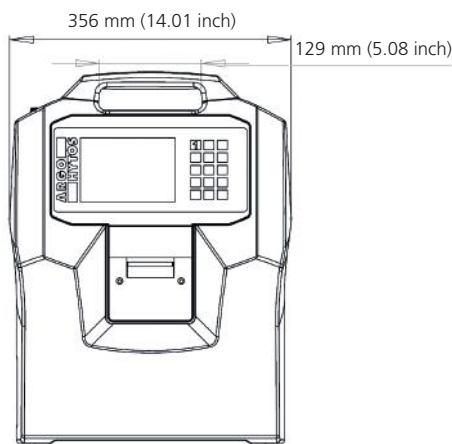


# OPCount

Online and bottle measurement · Mobile and stationary operation · Lab quality accuracy



OPCount



Dimensions

## Description

### OPCount - Accurate mobile and stationary measurements

The OPCount is a particle counter, designed for stationary or mobile operation. With its touch display and keypad it can be operated intuitively.

The volumetric sensor cell and the modern and technically advanced components guarantee high resolution in combination with measuring accuracy. Each particle passing through the sensor is detected, measured and counted.

The measurement results are shown according the standards ISO 4406 and SAE AS 4059. Thanks to the 32-bit high performance control unit, flexible measurements and simultaneous storage of data from different measuring points are possible. By operating the sensor with pressure, bubble formation is prevented. The measurement results can be printed on site on the integrated printer. With the included software, the measurement data can be downloaded to a PC for further processing.

The touch display indicates the particle sizes and numbers as well as the cleanliness classes. By preset measurement profiles, online and bottle samples can quickly be measured. These profiles can be easily created and customized by the user via the touch display. To prevent incorrect or unauthorized operation, the user area of the OPCount can be protected by a password.

Via the conversational setting menu of the OPCount, multiple languages are available. German, English, French, Spanish, Portuguese, Russian, Dutch, Chinese and Finnish may be selected.

The device is delivered with a power cord, USB cable, Minimesh hose incl. adapter and low pressure hose in a carrying case.

Additionally included are:

- › 1 Software CD
- › 1 Calibration certificate
- › 1 residual oil bottle
- › 2 sample bottles

## Technical data

### Parameter

#### Operating pressure

Low pressure	0 - 7 bar (0 - 102 psi)
High pressure	4 - 420 bar (58 - 6090 psi)

#### Fluid specifications

Fluid temperatures	10 °C - 60 °C (+50 °F - +140 °F) with bottle measurement up to 200 cSt; at high pressure up to 350 cSt; at lubrication systems up to 1000 cSt
Viscosity range of fluid	
Flow rate	25 ml / min

#### Technical data

Ambient temperature	5 °C - 40 °C (+41 °F - +104 °F)
Relative humidity	max. 70%
Number of channels	8 channels
Size channels	4, 6, 10, 14, 21, 25, 38, 70 µm 2, 5, 10, 15, 20, 25, 50, 100 µm*
Calibration	according to ISO 4402* / ISO 11171
Cleanliness classes	ISO 4406; NAS 1638*; SAE AS 4059; GJB 420 A and GOST 17216*
Light source	laser diode
Weight	9 kg (20 lbs)
Dimensions	475 x 356 x 225 mm (18.70 x 14.02 x 8.86 inch)
Internal data storage	4000 data records
Interface	USB

#### Measuring range

ISO 4406	01 - 23
NAS 1638	00 - 12*
SAE AS 4059D	000A - 12F
GOST 17216	00 - >17*
GJB 420A	000 - >12

\* optional

### Parameter

#### Electrical connections

Power supply	100 - 240 Volt, 50/60 Hz 10 - 36 Volt (XLR-connection, charging of battery not possible)
--------------	---

Running time of battery	4 hours
-------------------------	---------

#### Software

Download Software	for PC safeguarding of the measurements stored in the device
-------------------	--

Compatibility with sample fluids	Materials getting into contact with the samples: Steel 1.0161 (St37-) and 1.4571 (V4A), aluminum, borosilicate glass, polyamide, FKM. They are compatible with almost all mineral oil products. The standard version of the OPCount is not stainless and not compatible with esters or ketones as for example acetone.
----------------------------------	---

## Order code

OPCount	OC 1000
---------	---------

### Accessories

Thermal paper	OC 5310
Vacuum pump	OC 5240
Sensor cable	OC 5430