
**Technical Features**

- › Excellent stability throughout flow range with rapid response to dynamic pressure changes
- › Low hysteresis, accurate pressure control and low pressure drop through CFD optimized flow paths
- › Wide pressure range up to 350 bar
- › Hardened precision parts
- › Sharp-edged steel seats for dirt-tolerant performance
- › Leak-free closing, suitable for fast cycling with long life
- › Adjustable by allen key or hand screw
- › In the standard version, the valve is zinc-coated for 240 h protection acc. to ISO 9227

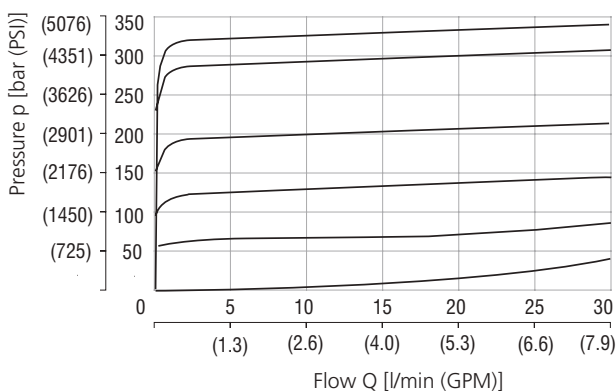
**Functional Description**

A poppet type, direct acting hydraulic relief valve in the form of a screw-in cartridge intended for use as a pressure limiting device for common hydraulic circuit protection. The spring acts on the poppet and presses it onto the valve seat. If the hydraulic pressure is below the pre-set value, the valve is closed. If the hydraulic force exceeds the pre-set value the valve opens and flow passes to the tank port until the system pressure falls below the spring pre-set value and the valve closes again.


**Technical Data**

Valve size / Cartridge cavity		3/4-16 UNF-2A / A2 (C-8-2)	
Max. flow	l/min (GPM)	30 (7.9)	
Max. operating pressure	bar (PSI)	350 (5080)	
Max. pressure (port T)	bar (PSI)	160 (2320)	
Fluid temperature range (NBR)	°C (°F)	-30 ... +100 (-22 ... 212)	
Fluid temperature range (FPM)	°C (°F)	-20 ... +120 (-4 ... 248)	
Weight	kg (lbs)	0.13 (0.29)	
	Datasheet	Type	
General information	GI_0060	Products and operating conditions	
Valve bodies	In-line mounted	SB_0018	SB-A2*
	Sandwich mounted	SB-04(06)_0028	SB-*A2*
Cavity details / Form tools	SMT_0019	SMT-A2*	
Spare parts	SP_8010		

**Characteristics** measured at  $v = 32 \text{ mm}^2/\text{s}$  (156 SUS)

**Relief pressure related to flow rate**


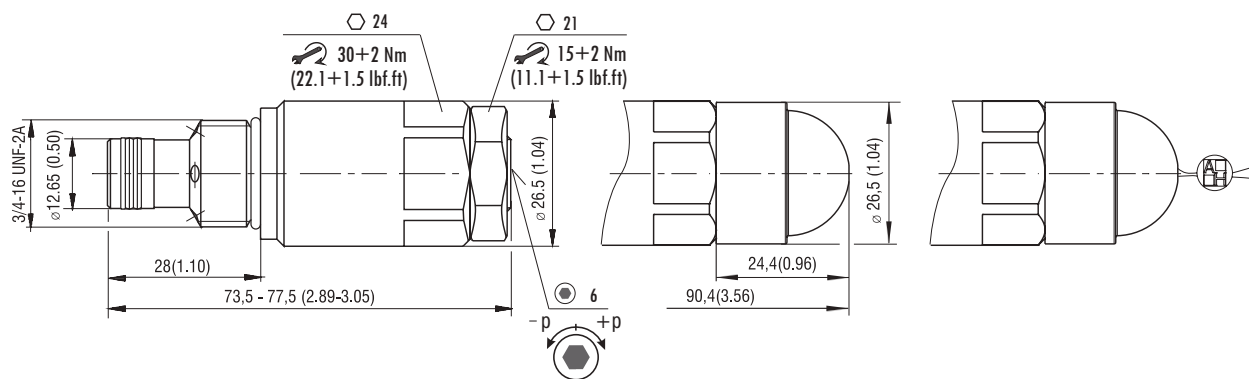
	Pressure range
6	35
5	25
4	16
3	10
2	6
1	Min. pressure setting

**Dimensions** in millimeters (inches)

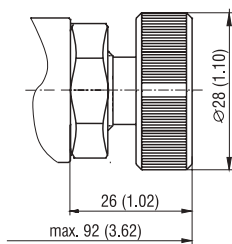
**Model S**

**Model T**

**Model L**



**Model RS**



**Ordering Code**

SR1A-A2 / L [ ] [ ] [ ] - [ ]

Pressure relief valve, poppet type, direct acting

Valve cavity  
3/4-16 UNF (C-8-2)

Model  
Lightline

Pressure range  
up to 63 bar (914 PSI)  
up to 100 bar (1450 PSI)  
up to 160 bar (2320 PSI)  
up to 250 bar (3630 PSI)  
up to 350 bar (5080 PSI)

6  
10  
16  
25  
35

No designation  
V

**Adjustment option**  
S allen key (hex. 6), without protective cap  
T allen key (hex. 6), with protective cap  
L allen key (hex. 6), with protective cap, sealable (lockwire holes)  
RS hand screw, metal

**Surface treatment**  
A zinc-coated (ZnCr-3), ISO 9227 (240 h)  
B zinc-coated (ZnNi), ISO 9227 (520 h)

**Seals**  
NBR  
FPM (Viton)