



FT SERIES

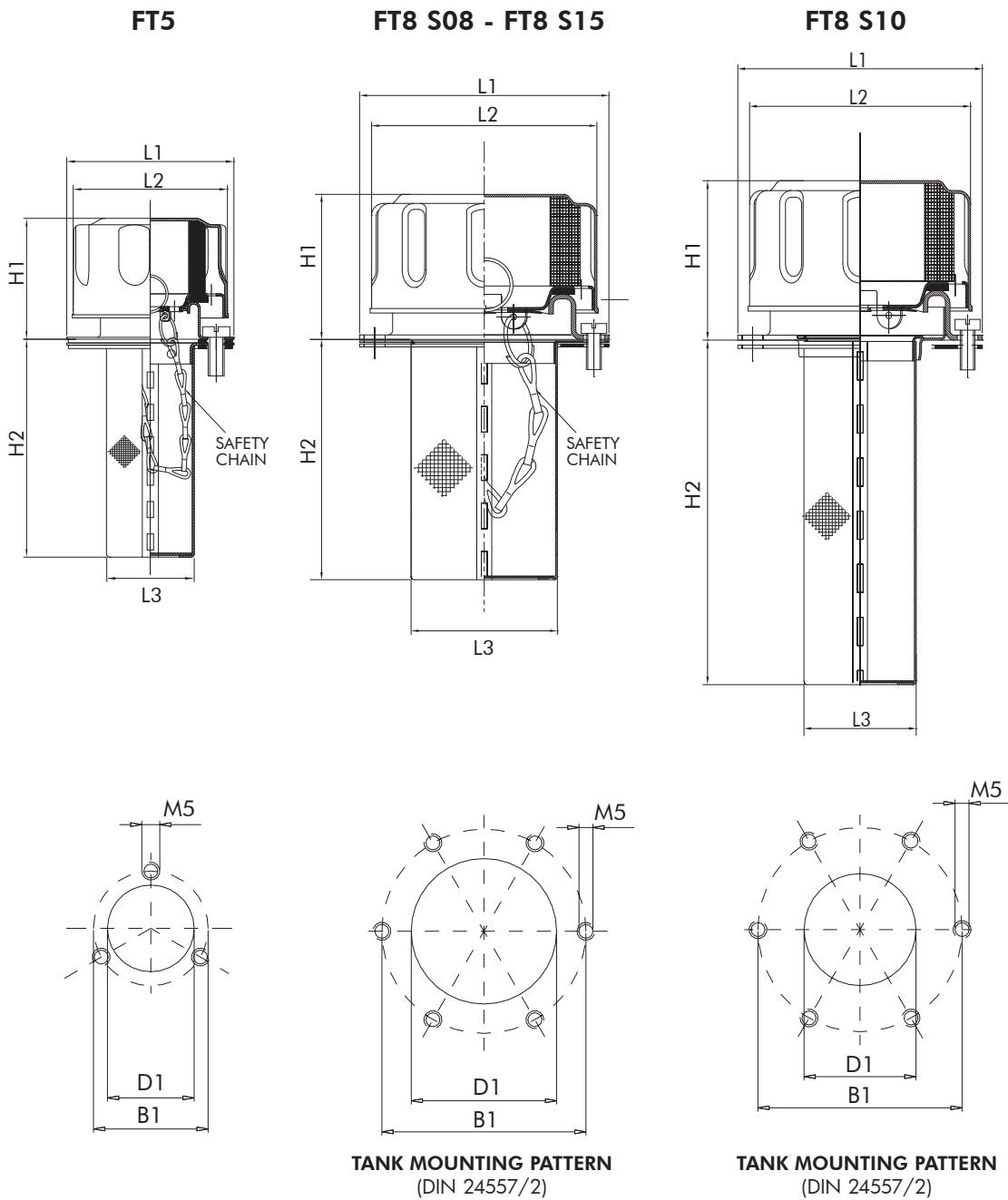
Filler breathers with flange or welding mounting

TECHNICAL INFORMATION

MATERIALS:	Cover: chrome plated steel Basket: zinc plated steel Flange: zinc plated steel Gaskets: NBR
FILTER MEDIA:	Polyurethane (air filtration 3 μ m e10 μ m)
PRESSURIZATION VALVE:	0,35 or 0,75 bar (for FT8 only)

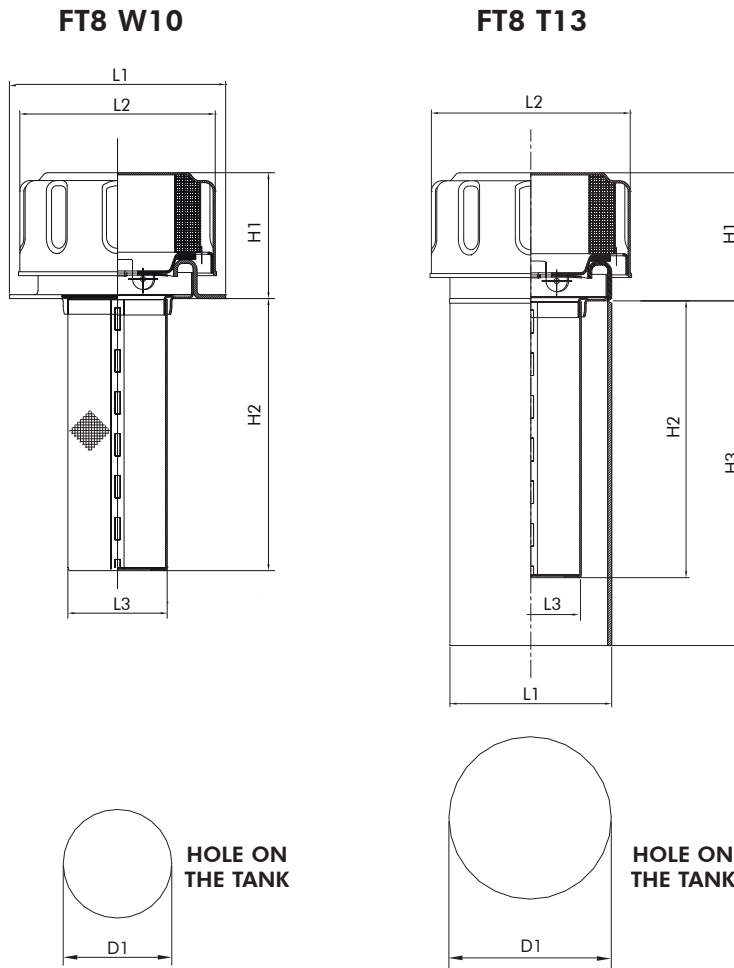
ORDERING INFORMATION

	1.	2.	3.	4.	5.	6.	7.
	FT	8	F03	B	S08	0	L
1. SERIES	FT						
2. SIZE	5	cover Ø48					
	8	cover Ø75					
3. FILTER MEDIA	F03	polyurethane (air filtration 3 μ m)					
	F10	polyurethane (air filtration 10 μ m)					
4. GASKETS	B	NBR					
5. MOUNTING TYPE	---	FT5 only					
	S08	flange, basket h = 80 mm					
	S15	flange, basket h = 150 mm					
	S10	flange, removable basket					
	W10	welding flange					
	T13	with antisplash tube					
6. PRESSURIZATION VALVE	0	no valve					
	1	0,35 bar					FT8 ONLY
	2	0,75 bar					FT8 ONLY
7. PADLOCK HOLDER	0	without padlock holder					
	L	with padlock holder					FT8 ONLY

OVERALL DIMENSIONS

NOMINAL SIZE

CODE	B1	D1	H1	H2	L1	L2	L3	AIR FLOW RATE Nm^3/min Dp 0,015 barg	
								F03	F10
FT5	41	31	37	67	52	48	27,5	200	250
FT8 S8				80					
FT8 S15	71÷73	52	50	150	83	75	50	450	550
FT8 S10		40		105			38		

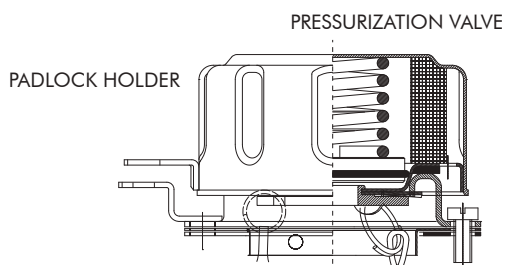
OVERALL DIMENSIONS



NOMINAL SIZE

CODE	D1	H1	H2	H3	L1	L2	L3	AIR FLOW RATE NI/min Dp 0,015 barg	
								F03	F10
FT8 W10	40	50	105	---	83	75	38	200	250
FT8 T13	62			130	60			450	550

OPTIONS



On request, FT7 and FT8 can be supplied with some option:

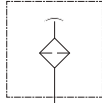
- PRESSURIZATION VALVE
- PADLOCK HOLDER (FT8 only)

USER INFORMATION

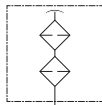
The air breather filters are integral part of the filtration within the hydraulic system, as they retain the environment contamination that could enter into the reservoir with the air sucked due to the oil level fluctuations during the system operation.

Our wide range of air filter and filler breathers offers the suitable solution to various requirements.

HYDRAULIC SYMBOL:
FB1 / FT6 / FT7



HYDRAULIC SYMBOL:
FT5 / FT8 / FB2 / FA3



OPERATING TEMPERATURE RANGE: -25° + 100°C (-13°F +212°F)
FT / FB1 / FA3 / FB2

FLUID COMPATIBILITY:
FT / FB1 / FA3 / FB2

Full with HH-HL-HM-HV (acc. To ISO 2943).
For use with other fluid please contact Filtrec Customer Service
(info@filtrec.it).